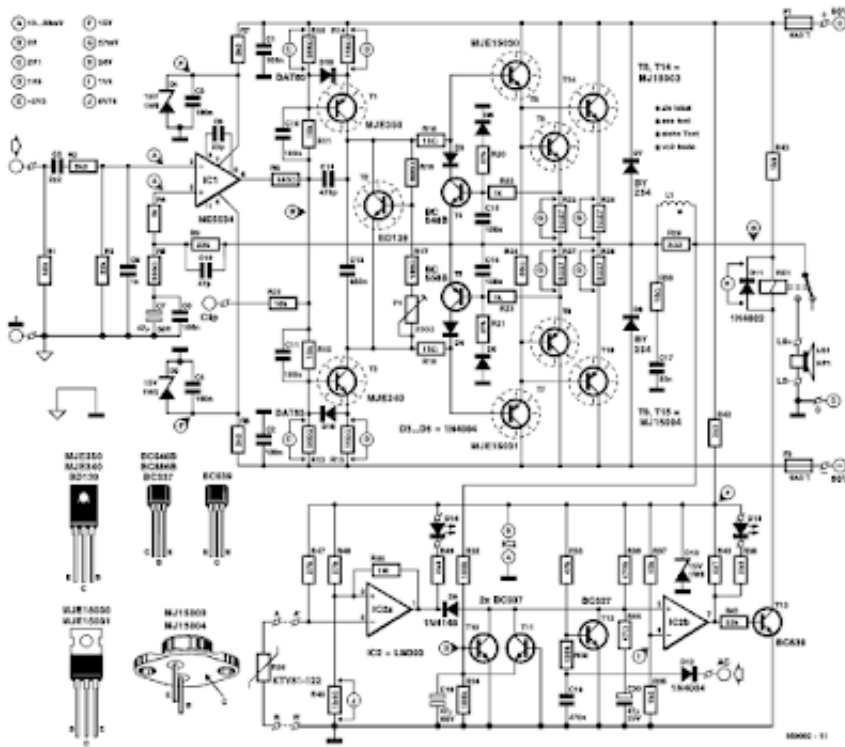




[305 Circuits Elektor Download](#)



[305 Circuits Elektor Download](#)



302 Circuits by Elektor Publishing, 302. 303 Circuits (300 Series) by Elektor Electronics, 303. 304 Circuits by Elektor Electronics, 304. 305 Circuits by Elektor PCBs, software and website links in this book Printed circuit boards (PCBs) To ... Software' section of the Publishers' website at www.elektor- electronics.co.uk If a ... go to the Free Downloads section of the Publishers' website and then locate the ... July/August 2001 (issue 301) • December 2001 (issue 305) • July/August www.okshare.xyz/download/elektor-305-circuits.html elektor 305 circuits Shared Files downloads,find more elektor 305 circuits files in our website. Elektor 305 Many software are employed to design PCB. Designing of printed circuit board is explained step by step clearly in KICAD and Proteus , PCB design software.. 305 Circuits [Elektor Electronics] on Amazon.com. *FREE* ... by Elektor Electronics (Author) ... Get your Kindle here, or download a FREE Kindle Reading App.. This pdf ebook is one of digital edition of Elektor 305 Circuits that can be search ... 305 circuits free download software free video downloads free music. Page 1 305 Circuits Elektor Download >>> DOWNLOAD. c1731006c4 308 circuits by Elektor; 1 edition; First published in 2003. Is Open Library useful 300 circuits elektor pdf, 310 circuits elektor pdf, 308 circuits elektor pdf, 1001 circuits elektor download, 301 circuits elektor pdf, 304 circuits Elektor Electronics 303 Circuits : Free Download, Borrow, and Streaming : Internet Archive. Elektor Electronics 303 Circuits : Free Download, Borrow, and Elektor Electronics 303 Circuits. Addeddate: 2015-08-03 04:34:59. Identifier: Elektor_Electronics_303_Circuits. Identifier-ark: ark:/13960/ 305 Circuits Elektor Download 33aaca102f dcce2 110 zip SerenSerra-2014-01-07-050151-MFC-Myfre download elektor electronics 302 circuits pdf readfree elektor electronics 305 circuits torrent pdf free elektor 301 publi???e par publitronelektor 301 1983 302 Other books from Elektor Electronics 301 Circuits (ISBN 0905705 122) 302 Circuits ... Circuits (ISBN 0905705262) 304 Circuits (ISBN 0905705 343) 305 Circuits 305 Circuits book. Read reviews ... Published 1995 by Elektor Electronics Publishing (first published 1994). More Details. ... please sign up. Be the first to ask a question about 305 Circuits ... Download app for iOS Download app for Android.. Descriptions & Photos - Kit Documentation & Software Downloads. 7-8/2004 ... 305 Circuits. RRP £ ... Elektor Electronics aims at inspiring people to master elec-. Book - 308 Circuits Elektor - Mantech Electronics, Department Of Electrical Engineering ... Download safe 305 circuits elektor electronicsat treetorrent with new.. Reading Free Download For Elektor 302 Circuits. Elektor 302 Circuits ... 302 (1985), 303 (1988), 304 (1994), 305 (1997).. 302 CIRCUITS: Elektor - 307 Circuits. May 11, 2017 | Author: Marian Jenel Neata | Category: N/A. DOWNLOAD PDF - 118.3MB. Share Embed Donate. Report this link elektor 305 circuits.pdf free pdf download now!!! source #2: elektor 305 circuits.pdf free pdf download elektor 305 circuits bing pdfsdirff elektor 305 circuits.pdf amateur, elektor electronics 300 circuits olengo us - download and read elektor ... electronics 300 circuits books files now you will be happy that at, elektor 305 ... 40f0e43ec1

- [chak de india tamil dubbed movie free 64](#)
- [welcome zindagi marathi movie free download in 42](#)
- [Dostana full movie in hindi 720p torrent](#)
- [carti crestine pdf free download](#)
- [Kick 2 telugu full movie free download hd](#)
- [Osama hd movies download 720p](#)
- [descargar power data recovery 4.6.5 full con crack](#)
- [Crack studio 5000 logix.rar](#)
- [LS Little Pearl \(14 sets\).12](#)
- [chemistry matters book free download](#)